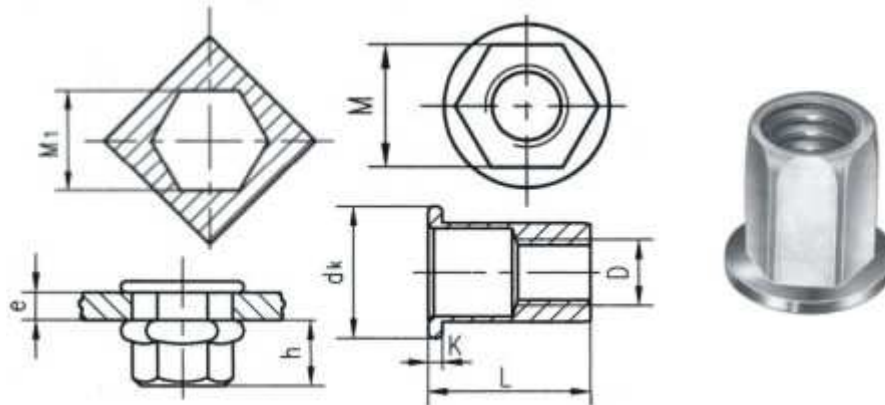


Tuerca Remache Acero Cab./ Plana hexagonal



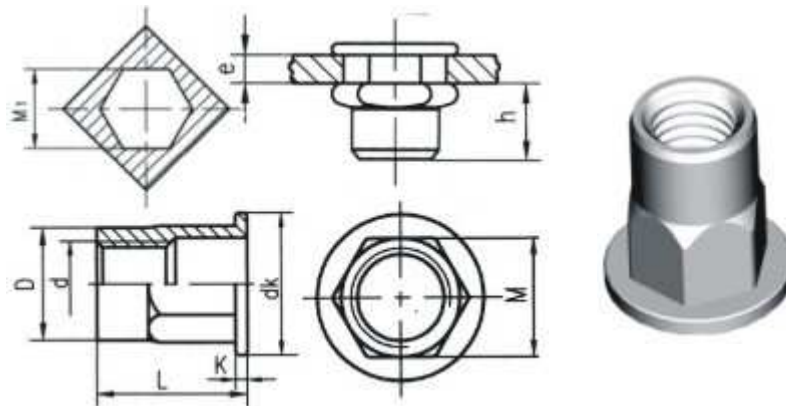
ACERO SAE 1010 ROSCA METRICA MA

Codigo	Diam.	e	h(ref.)	M1 d _s +0.15 +0.05	M -0.03 -0.20	dk +/-0.30	K +/- 0.20	L +/- 0.30
URSHM3040	M 4	0.5-2.5	6.5	6	6	9	0.8	10.8
URSHM3050	M 5	0.5-3.0	8.0	7	7	10	1.0	13.0
URSHM3060	M 6	0.5-3.5	8.5	9	9	13	1.5	15.0
URSHM3080	M 8	0.5-3.5	10.5	11	11	15	1.5	18.0
URSHM3100	M 10	0.5-3.5	13.0	13	13	17	1.8	20.0
URSHM3120	M 12	0.5-3.5	16.0	15	15	19	1.8	24.3

ACERO SAE 1010 ROSCA EN PULGADAS U.N.C.

Codigo	Diam.	e	h(ref.)	M1 d _s +0.15 +0.05	M -0.03 -0.20	dk +/-0.30	K +/- 0.20	L +/- 0.30
URSHM1047	Nº 10	0.5-3.0	8	8	7	10	1.0	13
URSHM1063	1/4	0.5-3.5	8.5	8.5	9	13	1.5	15
URSHM1079	5/16	0.5-3.5	10.5	10.5	11	15	1.5	18
URSHM1095	3/8	0.5-3.5	12	12	12	17	1.8	20

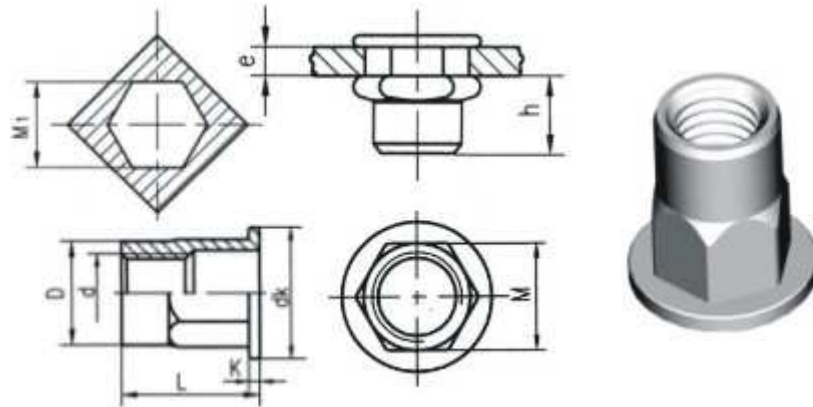
Tuerca Remache Acero Cab./ Plana hexagonal (c/ emboque)



ACERO SAE 1010 ROSCA METRICA MA								
Codigo	Diam.	e	h(ref.)	M1 d _s +0.15 +0.05	M -0.03 -0.20	dk +/-0.30	K +/- 0.20	L +/- 0.30
URSH3040	M 4	0.5-2.5	6.5	6	6	9	1.0	11.0
URSH3050	M 5	0.5-3.0	8.0	7	7	10	1.0	14.0
URSH3060	M 6	0.5-3.5	8.5	9	9	13	1.5	15.5
URSH3080	M 8	0.5-3.5	10.5	11	11	16	1.7	18.2
URSH3100	M 10	0.5-3.5	12.0	13	13	17	1.8	20.7

ACERO SAE 1010 ROSCA EN PULGADAS U.N.C.								
Codigo	Diam.	e	h(ref.)	M1 d _s +0.15 +0.05	M -0.03 -0.20	dk +/-0.30	K +/- 0.20	L +/- 0.30
URSH1047	Nº 10	0.5-2.5	8	7	7	10	1.0	13
URSH1063	1/4	0.5-3.0	9	9	9	13	1.5	15
URSH1079	5/16	0.5-3.5	11.5	11	11	15	1.5	18
URSH1095	3/8	0.5-3.5	12.5	13	13	17	1.8	20.3

Tuerca Remache Inoxidable 304 Cab./ Plana hexagonal (c/ emboque)



INOXIDABLE AISI 304 ROSCA METRICA MA									
Codigo	Diam.	e	h(ref.)	M1 d _s +0.15 +0.05	M -0.03 -0.20	dk +/-0.30	K +/- 0.20	L +/- 0.30	
URIH3040	M 4	0.5-2.5	6.5	6	6	9.00	1.0	12.8	
URIH3050	M 5	0.5-3.0	8.0	7	7	10.40	1.0	14.6	
URIH3060	M 6	0.5-3.0	8.5	9	9	12.40	1.5	17.2	
URIH3080	M 8	0.5-3.0	10.5	11	11	14.70	1.5	19.2	
URIH3100	M 10	1.0-4.0	12.0	13	13	16.40	2.0	24.0	