

Geomet / Dacromet

Son recubrimientos a base de Zinc, Aluminio y agentes químicos específicos para recubrir partes metálicas, tornillos, resortes, clips, contra pesos de ruedas de automóvil, discos de frenos, etc. que necesiten un alto grado de protección contra la corrosión con espesores mínimos de capa y ausencia total de riesgo de fragilidad por hidrogeno ocluido además de otorgar resistencia a la temperatura, resistencia a los productos orgánicos, conductividad eléctrica y anclaje para pintura posterior.

Son superiores a los revestimientos convencionales, tales como zincado electrolítico o galvanizado en caliente.

> Geomet

Desarrollado para cumplir las reglamentaciones ambientales, el Geomet, constituye la nueva generación de revestimientos en base acuosa, **exento de Cromo hexavalente y trivalente** además de otros metales pesados

| Espesor de capa | Resistencia a la corrosión (ASTM B-117) |
|-----------------|--|
| 5 a 7 micrones | hasta 1000 Hs |
| 8 a 10 micrones | hasta 2000 Hs |

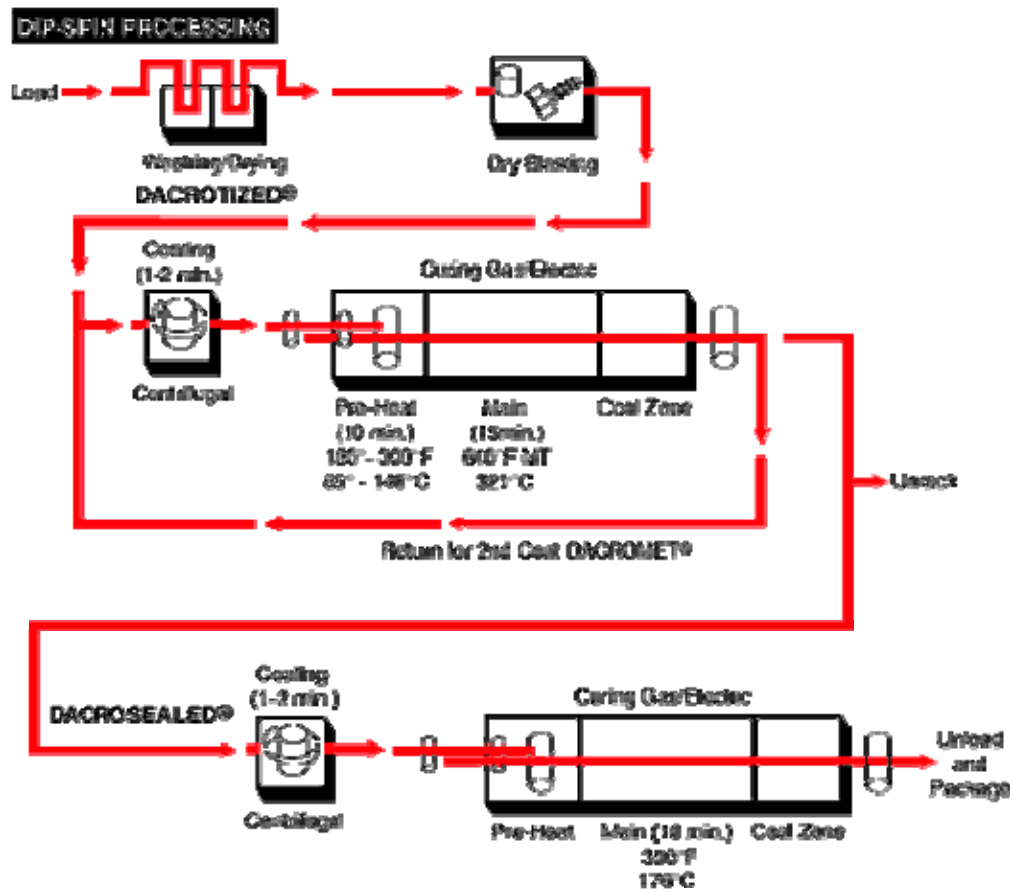
Topcoats sellantes Plus, Plus VL e LM

Línea de selladores inorgánicos en base acuosa para piezas ya revestidas con Dacromet o Geomet, estos son aplicados sobre los tratamientos anteriores, formando una película de bajo espesor de capa, mejorando las siguientes propiedades del revestimiento:

- Cumple y estabiliza los coeficientes de fricción conforme DIN 946 de todas las terminales automotrices
- Aumento significativo de la Resistencia a la Corrosión
- Identificación mediante colores Verde, Azul, etc.
- Posibilidad de coloración negra: Geoblack, o Dacroblack y también Colorcoat.

Procesos de Aplicación

Estos procesos están constituidos por tres etapas básicas: Limpieza previa, Revestimiento y Cura. Pueden ser utilizado por Inmersión - Centrifugación (dip-spin), Inmersión – escurrido (dip / drain) o Spray.





GEOMET® Specifications

| OEM / Supplier | Specification* | Coating System* |
|-------------------------------|--|----------------------------|
| Akebono | AES: G 3503-U Class 1 | GEOMET® L |
| | AES: G 3503-U Class 2 | GEOMET® L or GEOMET® P |
| American Axle & Manufacturing | MS-4048 | GEOMET® ML |
| | MS-4048 | GEOBLACK® 137 |
| ArvinMeritor | 518 | GEOMET® |
| | 518 | GEOMET® P |
| | 518 | GEOMET® ML |
| | 518 | GEOMET® L |
| | 518 | GEOMET® XL |
| | 518 | GEOBLACK® 137 |
| | 518 | GEOBLACK® 147 |
| ASTM | ASTM F1136 & ASTM F1136M "NC" Grade 2 | GEOMET® |
| | ASTM F1136 & ASTM F1136M "NC" Grade 3 | GEOMET® P |
| | ASTM F1136 & ASTM F1136M "NC" Grade 4 | GEOMET® |
| | ASTM F1136 & ASTM F1136M "NC" Grade 5 | GEOMET® L |
| | ASTM F1136 & ASTM F1136M "NC" Grade 6 | GEOBLACK® 137/147 |
| BMW | GS 90010-ZNS3 | GEOMET® VL |
| | QV 34081 | GEOMET® |
| Bobcat | PS - 106 | GEOMET® L |
| BorgWarner | S-1107 | GEOMET® |
| | S-1107-P | GEOMET® P |
| | S-1107-PL | GEOMET® L |
| Brembo | Tab. 11.19 | GEOMET® |
| Caterpillar | 1E1675G | GEOMET® L |
| Continental Teves | N 106 61.00 Ob No. 1521 | GEOMET® D |
| Cummins | 74059 | GEOMET® L |
| | 74061 | GEOMET® P |
| | 74062 | GEOMET® 500 A |
| DaimlerChrysler | PS 5873L | GEOMET® L or GEOBLACK® 147 |
| | PS 5873P | GEOMET® P GEOMET® L |
| | PS 5873 Black | GEOBLACK® 147 |
| | PS 5873 | GEOMET® |
| | PS 9666 | GEOMET® XL |

| OEM / Supplier | Specification* | Coating System* |
|-----------------------|--------------------------|---------------------------------------|
| Dana | ES-PS-0618 | GEOMET * L |
| | ES-PS-0618 | GEOMET * ML |
| | ES-PS-0618 | GEOMET * P |
| | ES-PS-0618 | GEOBLACK * 147 |
| | ES-PS-0618 | GEOBLACK * 137 |
| | ES-PS-0618 | GEOBLACK * 117 |
| Delphi | DX551501 | GEOMET * |
| | DX551502 | GEOMET * P |
| | DX551503 | GEOMET * ML |
| | DX551504 | GEOMET * L |
| | DX551505 | GEOMET * XL |
| | DX551507 | GEOBLACK * 117 |
| | DX551508 | GEOBLACK * 137 |
| | DX551509 | GEOBLACK * 147 |
| Fiat | 9.57513 RIV/EC 5 | GEOMET * 321 |
| | 9.57513 RIV/EC 5 F | GEOMET * 500 A |
| | 9.57513 RIV/EC 5 LUB | GEOMET * + DACROLUB |
| | 9.57513 RIV/EC 8 PL | GEOMET * ML |
| | 9.57513 RIV/EC 8 PL Nero | GEOBLACK * ML |
| Ford Motor Company | WSS-M21P39-A1 (S438) | GEOMET * ML |
| | WSS-M21P39-A2 | GEOMET * P |
| | WSS-M21P39-A3 | GEOBLACK * 147 |
| | WSS-M21P39-A4 | GEOMET * L |
| | WSS-M21P49-A1 (S447) | GEOMET * 500 A |
| | WSS-M21P49-A2 (S448) | GEOMET * 500 B |
| | WSS-M21P49-A3 | GEOBLACK * ML |
| | WSS-M21P36-A4 | GEOMET * ML |
| | WSS-M21P36-A5 | GEOMET * P |
| | WSS-M21P36-A6 | GEOMET * L |
| | WSD-M21P13-A1 | GEOMET * |
| | WSS-M2P178 | GEOMET * |
| General Electric | F69A2A1 | GEOMET * L |
| | F69A2A2 | GEOBLACK * 147 |
| | F69A2A3 | GEOMET * L (Red, Green, Yellow, Blue) |
| General Motors - Opel | GMW 3359 | GEOMET * ML GEOBLACK* 137 |
| | GM 6173M | GEOMET * P GEOBLACK* 117 |
| | GMW 14 | GEOMET * L GEOBLACK* 147 |
| | GME 00 255 C | GEOMET * |
| | GME 00 255 F | GEOMET * L |

| OEM / Supplier | Specification* | Coating System* |
|---------------------|---------------------------|------------------------------------|
| Hyundai-Kia | MS 619-08 Class 1 | GEOMET* 720 |
| | MS 619-08 Class 2 | GEOMET* 720 |
| | MS 619-08 Class 3 | GEOMET* 720 ML |
| | MS 619-08 Class 4 | GEOMET* 720 ML - B |
| | MS 619-08 Class 5 | GEOMET* 720 ML - B |
| | MS 619-08 Class 6 | GEOMET* 720 ML |
| International Truck | TMS-4520 | GEOBLACK* ML |
| | TMS-4523 | GEOMET* 500 A |
| ISO | ISO/EN 10683 | ---- |
| | ISO/EN 10683 fZnnc-240h-L | GEOMET* L, M, ML, XL |
| | ISO/EN 10683 fZnnc-480h-L | GEOMET* L, M, ML, XL |
| | ISO/EN 10683 fZnnc-720h-L | GEOMET* L, M, ML, XL |
| | ISO/EN 10683 fZnnc-960h-L | GEOMET* L, M, ML, XL |
| Iveco | 18-1101 321-5 | GEOMET* |
| | 18-1101 321-8 | GEOMET* |
| | 18-1101 321-5-PL | GEOMET* L |
| | 18-1101 321-8-PL | GEOMET* L |
| John Deere | JDM F13D | GEOMET* |
| | JDM F13E | GEOMET* P |
| | JDM F13F | GEOMET* L |
| | JDM F13G | GEOMET* |
| | JDM F13H | GEOMET* P |
| | JDM F13J | GEOMET* L |
| Mazda | MES CG 311F DMF-0 | GEOMET* |
| | MES CG 311F DMF -1 | GEOMET* 720 |
| | MES CG 311F DMF-1 | GEOMET* + Topcoat (See MES CG 510) |
| | MES CG 311F DMF-1 | GEOMET* + Topcoat (See MES CG 510) |
| | MES CG 311F DMF-2 | GEOMET* + Topcoat (See MES CG 510) |
| | MES CG 510 - SFC4 | PLUS* KL |
| | MES CG 510 - SFC5 | PLUS* MS Green |
| MES CG 510 - SFC6 | PLUS* L Pink | |
| Mercedes-Benz | DBL 9440.40 | GEOMET* VL |
| | DBL 9440.50 | GEOBLACK* ML |
| | DBL 8440.20 | GEOMET* or GEOMET* 500 |
| | DBL 8440.21 | GEOBLACK* |
| | DBL 8440.30 | GEOMET* or GEOMET* 500 |
| | DBL 8440.31 | GEOBLACK* |

| OEM / Supplier | Specification* | Coating System* |
|-----------------|------------------------------|-------------------------|
| Mitsubishi | MS82-3710 ZnSi-0 | GEOMET* 720 |
| | MS82-3710 ZnSi-1 | GEOMET* 720 |
| | MS82-3710 ZnSi-2 | GEOMET* 720 |
| | MS82-3710 ZnSi-3 | GEOMET* 720 P10 |
| | MS82-3710 ZnSi-4 | GEOMET* 720 P10 |
| Nissan | M4601 ZAC-1 | GEOMET* 720 |
| | M4601 ZAC-2 | GEOMET* 720 |
| Peugeot-Citroen | B15 3320- ZLA/ZLV MGL/MGO | GEOMET* 500 A |
| | B15 3320- ZLA/ZLV FGL/FGO | GEOMET* 500 B |
| | QV 34081 | GEOMET* |
| Porsche | PN 11011- 26b0 | GEOMET* |
| | PN 11011- 26b1 | GEOMET* VL |
| Renault | 01 - 71 - 002 / - - Q | GEOMET* M |
| Renault Trucks | 01-71-4002/H S2S | GEOMET* M |
| | 01-71-4002/H S2S | GEOMET* or GEOMET* 500 |
| Scania | STD 4165 IF | GEOMET* ML |
| Tenneco | PS-152.09 | GEOMET* |
| | PS-152.09A | GEOMET* P |
| Toyota | TSH7702G-A | GEOMET* 720 |
| | TSH7702G-AS | GEOMET* 720 P10 |
| | TSH7702G-AT | GEOMET* 720 JL - B |
| | TSH7702G-AG | GEOMET* 720 JL - B |
| | TSH7702G-B | GEOMET* 720 |
| | TSH7702G-C | GEOMET* 720 |
| | TSH7702G-CG | GEOMET* 720 JL - B |
| TRW | TS 2-25-60- Class C | GEOMET* |
| | TS 2-25-60- Class D | GEOMET* L or GEOMET* ML |
| | TS 2-25-60- Class E | GEOMET or GEOMET* P |
| | TS 2-25-60- Class F | GEOMET* L or GEOMET* ML |
| VDA | VDA 235-104.40 | GEOMET* |
| | VDA 235-104.42 | GEOMET* VL |
| | VDA 235-104.50 | GEOBLACK* |
| Volkswagen | TL 245-Class t602 | GEOMET* P10 |
| | TL 245 Class t647 | GEOMET* VL |
| | TL 193 | GEOMET* 360 |
| Volvo | STD 5737,2 Y 200-4 | GEOMET* ML |
| | STD 121-0004 PROJECT Y 200-4 | GEOBLACK* ML |
| | STD 121-0004 PROJECT Y 200-5 | GEOMET* P |
| | STD 121-0003 PROJECT Y 100-4 | GEOBLACK* 500 M |
| Volvo Cars | VCS 5737,29 Y200-4 | GEOMET* ML |
| ZF Lemforder | LMN 50-6 3.2 | GEOMET* L |